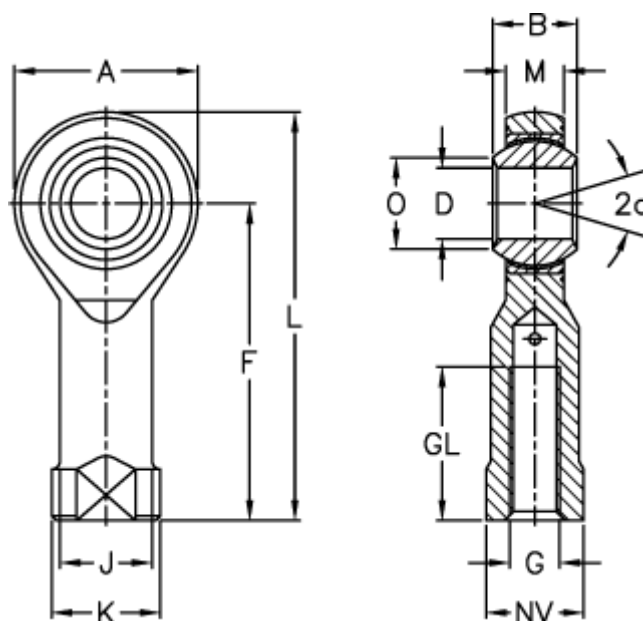


Article number: 03219010

Description: Fluro Rod End GILRSW 10-R

Housing and ball in stainless steel with left-handed thread

Measures



| | | | | |
|---------------------|--------|---------------------|--------|-----------------|
| A | = 28 | J | = 15 | Weight (g) = 76 |
| a (degrees) | = 13 | K | = 19 | |
| B | = 14 | L | = 57 | |
| D | = 10 | M | = 10.5 | |
| Dynamic load C (kN) | = 23.4 | NV | = 17 | |
| F | = 43 | O | = 12.9 | |
| G | = M10 | Permissible rpm | = 350 | |
| GL | = 20 | Static load C0 (kN) | = 28.3 | |